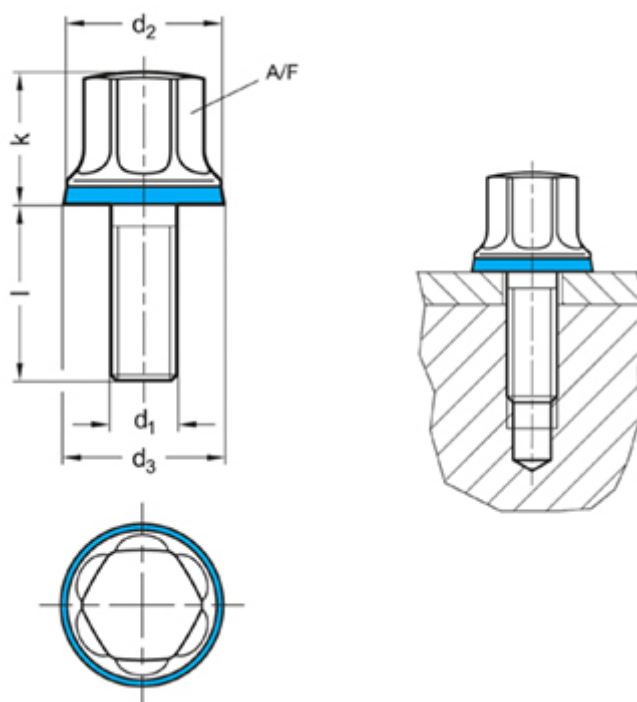


Article number: 201580M620PL

Description: E+G Screw GN 1580-M6-20-PL-H  
Hygienic design

## Measures



d1	= M 6
d2	= 14
d3	= 14.8
k	= 12
L	= 20
t min	= -
Weight in (g)	= 13